

MEDFIX[®]
INTERNATIONAL, LLC

Reducing cost without
compromising quality.

- *Medfix Founder*

Medfix International, LLC has been delivering quality, low cost instrumentation around the world for many years. As a result of our success in fulfilling our mission of reducing cost without compromising quality, we have been able to partner with the biggest suppliers in the United States and Germany for the distribution of general surgical instrumentation. With over 14,000 items in stock and an expanding catalog with thousands of instruments, we can outfit anything from a single suture removal station to the largest multi-discipline operating room anywhere in the world, from simple forceps to procedure-specific instrumentation trays.

We can cross-reference almost any surgical instrument in the world by company and part number.

The vast majority of our orders are shipped within 3 business days. If you want to reduce costs, improve lead times, and remove guesswork from outfitting your surgical service, contact us and find out how easy it is to do business with a leader in the industry.

QUALITY ASSURANCE

Our instruments are manufactured from the highest quality German surgical stainless steel (ASTM F899), are treated to be corrosion resistant, and meet or exceed the most stringent of FDA and CE certifications.

Our instruments have been tested with the Thermo Scientific™ Niton XL3t XRF analyzer and show no significant variation from industry standard for type 420 stainless steel.

GUARANTEE

We offer the broadest, highest quality line of German, hand-held, reusable surgical instruments. Because of that, our instruments have a lifetime warranty against defects in material or workmanship when used for their intended purpose and when cared for according to industry standards. If you have any questions about use or care please do not hesitate to call us.

RETURNS

We strive to make our return process simple. Call (866-321-6331 or 520-398-5467) or email us (sales@medfix.com) to get a Return Material Authorization (RMA) number and shipping instructions. Be ready with the reason for the return, with your contact information, and invoice number (if available). All returns must have an RMA number or the claim cannot be processed. Replacements are shipped as soon as possible (depending upon availability), usually within 3 days of receipt of the returned item. Please package your returned items securely to avoid shipping damage.

We cannot accept instruments for replacement which have been altered or mishandled by the customer.

OUR STORY

Success is a journey, not a destination.

Since its inception, the driving force behind Medfix International, LLC has been to be part of the solution, and not perpetuate the status quo.

We came to exist almost out of necessity and as an answer to the overwhelming demand for lower cost alternatives to the traditional sources for surgical equipment, devices, and supplies. As formidably large corporations continued to grow exponentially, so did their prices. While many positive strides were made in the delivery of cutting edge surgical technology, the companies which spearheaded these advancements also lost sight of the responsibility to ensure their customers (surgeons, hospitals, surgery centers) were able to keep their doors open. With pricing that would eventually become cost-prohibitive and, in some cases, force their customers completely out of business, these corporations allowed profits to become paramount and fiscal responsibility slowly faded into the background.

Our mission was clear—we would seek, find, and provide to our customers alternatives for the equipment, devices, and supplies they needed. We knew quality must not be compromised but could not lose sight of the importance of affordable pricing.

Our philosophy today remains unchanged from the early years. We exist to serve our global community. From a makeshift operating room in a small village in Nepal, to a 10 bed hospital in rural Colombia, to the most prestigious centers of medical excellence in the world, Medfix International, LLC is committed to deliver surgical instruments, procedure-specific instrumentation, and implants in the fields of our expertise, namely, orthopedic, spine, and neurosurgery.

Our passion lies in assisting our customers develop, implement, and improve their surgical service, always making sure the patient comes first, and profits come second. We have seen how the delivery of our solutions has enabled surgeons to perform surgical procedures their hospitals and patients could not have otherwise afforded. This philosophy has propelled us forward, earned the trust of thousands of customers worldwide, and made it possible to improve patient's lives.

To our loyal customers, we thank you for your continued trust and patronage, and we invite those who seek an alternative who will work with you and help you succeed, come join us on our journey to make a difference and do right by our respective communities.

BONE CUTTING

Hibbs Osteotome	page 128
Cobb Osteotome	page 129
Lambotte Osteotome	page 130
Anderson-Neivert Osteotome	page 131
Cobb Gouge	page 131
Swan Neck Gouge	page 132
Bone Awl	page 132
Kuntscher Diamond Pointed Awl	page 133
Gigli Saw Blades	page 133
Lexer Chisel	page 134
Hudson Cranial Drill Set	page 135
Hudson Drill Brace	page 135
Hudson Cranial Attachments	page 136
McKenzie Enlarging Burr	page 136
Hudson Cerebellar Extension	page 136
Hudson Burr	page 136
Cushing Burr	page 136
Universal Drill	page 137



MF211-4002

**HIBBS
OSTEOTOME**

Cat No.	Description
MF211-3992	235 mm / 9¼ inch / solid hexagonal handle / straight / 6 mm
MF211-3997	235 mm / 9¼ inch / solid hexagonal handle / straight / 10 mm
MF211-4002	235 mm / 9¼ inch / solid hexagonal handle / straight / 13 mm
MF211-4007	235 mm / 9¼ inch / solid hexagonal handle / straight / 16 mm
MF211-4012	235 mm / 9¼ inch / solid hexagonal handle / straight / 19 mm
MF211-4017	235 mm / 9¼ inch / solid hexagonal handle / straight / 22 mm
MF211-4022	235 mm / 9¼ inch / solid hexagonal handle / straight / 25 mm
MF211-4027	235 mm / 9¼ inch / solid hexagonal handle / straight / 29 mm
MF211-4032	235 mm / 9¼ inch / solid hexagonal handle / straight / 32 mm
MF211-4037	235 mm / 9¼ inch / solid hexagonal handle / straight / 38 mm



MF211-4062

**HIBBS
OSTEOTOME**

Cat No.	Description
MF211-4052	235 mm / 9¼ inch / solid hexagonal handle / curved / 6 mm
MF211-4057	235 mm / 9¼ inch / solid hexagonal handle / curved / 10 mm
MF211-4062	235 mm / 9¼ inch / solid hexagonal handle / curved / 13 mm
MF211-4067	235 mm / 9¼ inch / solid hexagonal handle / curved / 16 mm
MF211-4072	235 mm / 9¼ inch / solid hexagonal handle / curved / 19 mm
MF211-4077	235 mm / 9¼ inch / solid hexagonal handle / curved / 22 mm
MF211-4082	235 mm / 9¼ inch / solid hexagonal handle / curved / 25 mm
MF211-4087	235 mm / 9¼ inch / solid hexagonal handle / curved / 29 mm
MF211-4092	235 mm / 9¼ inch / solid hexagonal handle / curved / 32 mm
MF211-4097	235 mm / 9¼ inch / solid hexagonal handle / curved / 38 mm



MF211-4192

**COBB
OSTEOTOME**

Cat No.	Description
MF211-4182	280 mm / 11 inch / knurled stainless steel handle / straight / 6 mm
MF211-4187	280 mm / 11 inch / knurled stainless steel handle / straight / 10 mm
MF211-4192	280 mm / 11 inch / knurled stainless steel handle / straight / 13 mm
MF211-4197	280 mm / 11 inch / knurled stainless steel handle / straight / 16 mm
MF211-4202	280 mm / 11 inch / knurled stainless steel handle / straight / 19 mm
MF211-4207	280 mm / 11 inch / knurled stainless steel handle / straight / 25 mm
MF211-4212	280 mm / 11 inch / knurled stainless steel handle / straight / 32 mm



MF211-4242

**COBB
OSTEOTOME**

Cat No.	Description
MF211-4232	280 mm / 11 inch / knurled stainless steel handle / curved / 6 mm
MF211-4237	280 mm / 11 inch / knurled stainless steel handle / curved / 10 mm
MF211-4242	280 mm / 11 inch / knurled stainless steel handle / curved / 13 mm
MF211-4247	280 mm / 11 inch / knurled stainless steel handle / curved / 16 mm
MF211-4252	280 mm / 11 inch / knurled stainless steel handle / curved / 19 mm
MF211-4257	280 mm / 11 inch / knurled stainless steel handle / curved / 25 mm
MF211-4262	280 mm / 11 inch / knurled stainless steel handle / curved / 32 mm



MF211-3180

**LAMBOTTE
OSTEOTOME**

Cat No.	Description
MF211-3172	185 mm / 7¼ inch / straight / with calibration lines / 2 mm
MF211-3173	185 mm / 7¼ inch / straight / with calibration lines / 3 mm
MF211-3174	185 mm / 7¼ inch / straight / with calibration lines / 4 mm
MF211-3176	185 mm / 7¼ inch / straight / with calibration lines / 5 mm
MF211-3178	185 mm / 7¼ inch / straight / with calibration lines / 6 mm
MF211-3179	185 mm / 7¼ inch / straight / with calibration lines / 7 mm
MF211-3180	185 mm / 7¼ inch / straight / with calibration lines / 8 mm
MF211-3182	185 mm / 7¼ inch / straight / with calibration lines / 10 mm
MF211-3184	185 mm / 7¼ inch / straight / with calibration lines / 12 mm
MF211-3186	185 mm / 7¼ inch / straight / with calibration lines / 16 mm
MF211-3188	185 mm / 7¼ inch / straight / with calibration lines / 19 mm
MF211-3190	185 mm / 7¼ inch / straight / with calibration lines / 22 mm
MF211-3192	185 mm / 7¼ inch / straight / with calibration lines / 25 mm



MF211-3209

**LAMBOTTE
OSTEOTOME**

Cat No.	Description
MF211-3202	185 mm / 7¼ inch / curved / with calibration lines / 4 mm
MF211-3204	185 mm / 7¼ inch / curved / with calibration lines / 5 mm
MF211-3206	185 mm / 7¼ inch / curved / with calibration lines / 6 mm
MF211-3208	185 mm / 7¼ inch / curved / with calibration lines / 7 mm
MF211-3209	185 mm / 7¼ inch / curved / with calibration lines / 8 mm
MF211-3212	185 mm / 7¼ inch / curved / with calibration lines / 10 mm
MF211-3214	185 mm / 7¼ inch / curved / with calibration lines / 12 mm
MF211-3218	185 mm / 7¼ inch / curved / with calibration lines / 16 mm
MF211-3220	185 mm / 7¼ inch / curved / with calibration lines / 19 mm
MF211-3224	185 mm / 7¼ inch / curved / with calibration lines / 22 mm
MF211-3226	185 mm / 7¼ inch / curved / with calibration lines / 25 mm



MF491-3242

ANDERSON
-NEIVERT
OSTEOTOME

Cat. No.	Description
MF491-3242	single guard / 4 mm / curved right guard
MF491-3247	single guard / 4 mm / curved left guard



MF232-8307

COBB
GOUGE

280 mm / 11 inch

Straight	Curved	Description
MF232-8402	MF232-8442	6. mm / ¼ inch / with knurled stainless steel handle
MF232-8407	MF225-5967	10 mm / ⅜ inch / with knurled stainless steel handle
MF232-8412	MF232-8452	13 mm / ½ inch / with knurled stainless steel handle
MF232-8417	MF232-8457	16 mm / ⅝ inch / with knurled stainless steel handle
MF232-8422	MF232-8462	19 mm / ¾ inch / with knurled stainless steel handle
MF232-8427	MF232-8467	25 mm / 1 inch / with knurled stainless steel handle
MF232-8432	MF232-8472	32 mm / 1¼ inch / with knurled stainless steel handle

Cat. No.	Description
MF232-8302	with knurled stainless steel handle / straight
MF232-8307	with knurled stainless steel handle / half curved
MF232-8312	with knurled stainless steel handle / full curved
MF232-8317	with knurled stainless steel handle / reverse curved



MF211-9352

SWAN
NECK
GOUGE

Cat. No.

Description

MF211-9352

230 mm / 9 inch / curved gouge / solid hexagonal handle



MF212-6087

BONE
AWL

Cat. No.

Description

MF212-6082

145 mm / 5¾ inch / with grooves

MF212-6087

145 mm / 5¾ inch / square taper



KUNTSCHER
DIAMOND
POINTED
AWL

MF212-6182

Cat. No.	Description
MF212-6177	280 mm / 11 inch / tibia
MF212-6182	280 mm / 11 inch



GIGLI
SAW
BLADES

MF223-2602
MF223-2647

Cat No.	Description
MF223-2602	65 mm / 2½ inch / handle
MF223-2642	230 mm / 9 inch / chain saw
MF223-2647	305 mm / 12 inch / chain saw
MF223-2652	510 mm / 20 inch / chain saw
MF223-2657	710 mm / 28 inch / chain saw



**LEXER
CHISEL**

MF211-7062

Cat No.	Description
MF211-7042	219 mm / 8 $\frac{5}{8}$ inch / phenolic handle / straight / 5 mm
MF211-7047	219 mm / 8 $\frac{5}{8}$ inch / phenolic handle / straight / 7 mm
MF211-7052	219 mm / 8 $\frac{5}{8}$ inch / phenolic handle / straight / 10 mm
MF211-7062	219 mm / 8 $\frac{5}{8}$ inch / phenolic handle / straight / 15 mm
MF211-7077	219 mm / 8 $\frac{5}{8}$ inch / phenolic handle / straight / 20 mm
MF211-7087	219 mm / 8 $\frac{5}{8}$ inch / phenolic handle / straight / 25 mm
MF211-7092	219 mm / 8 $\frac{5}{8}$ inch / phenolic handle / straight / 30 mm



MF223-1672

HUDSON
CRANIAL
DRILL SET

Cat. No.	Description
MF223-1672	complete with brace and 5 attachments



MF223-1547

HUDSON
DRILL
BRACE

Cat. No.	Description
MF223-1542	265 mm / 10½ inch / snap lock
MF223-1547	265 mm / 10½ inch / thumb screw lock

McKenzie Enlarging Burr
MF223-1662



Hudson Cerebellar Extension
MF223-1562



Hudson Burr
MF223-1612

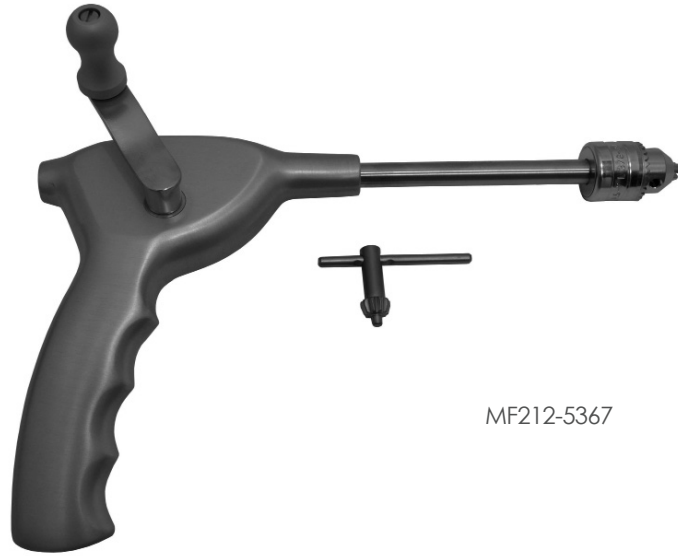


Cushing Burr
MF223-1592



HUDSON
CRANIAL
ATTACHMENTS

Cat. No.	Description
MF223-1662	McKenzie Enlarging Burr / 17 mm
MF223-1562	Hudson Cerebellar Extension
MF223-1612	Hudson Burr / 9 mm
MF223-1617	Hudson Burr / 14 mm
MF223-1622	Hudson Burr / 16 mm
MF223-1627	Hudson Burr / 22 mm
MF223-1592	Cushing Burr / 10 mm
MF223-1597	Cushing Burr / 16 mm
MF223-1602	Cushing Burr / 20 mm



MF212-5367

UNIVERSAL
DRILL

Cat. No.

MF212-5367

Description

280 mm / 11 inch / cannulated / includes chuck key
accepts bits up to ¼ inch / 6 mm

